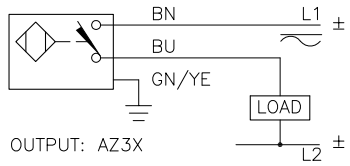
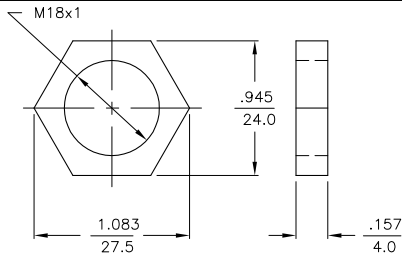


WIRING DIAGRAM



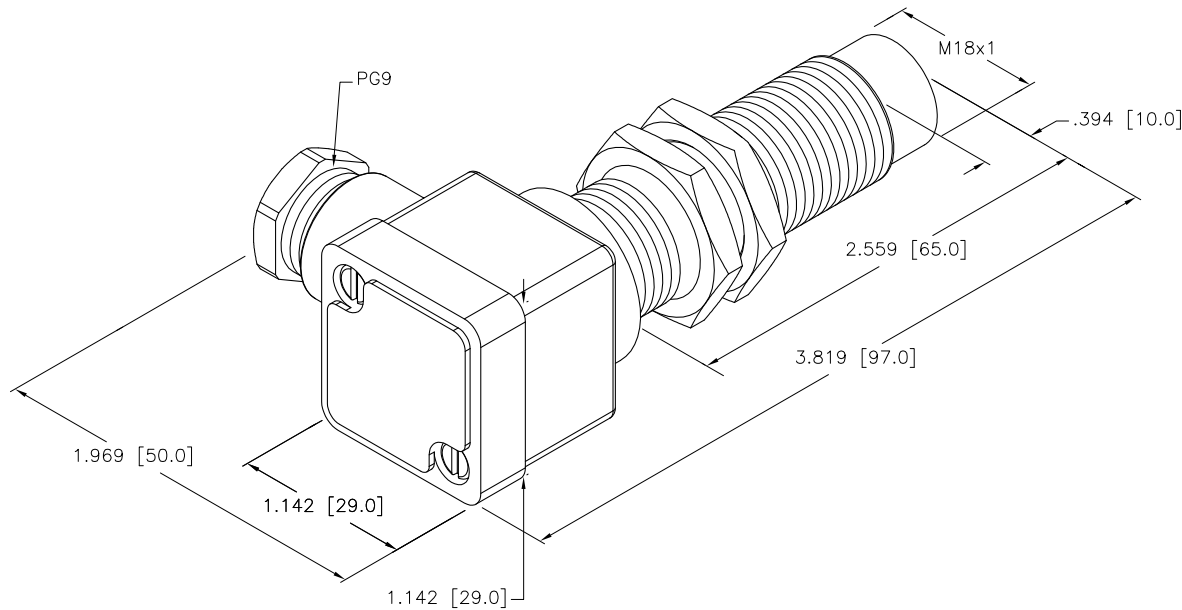
WARNING: NO SHORT-CIRCUIT PROTECTION.
ALWAYS WIRE A LOAD IN SERIES WITH THE SENSOR.

LOCKNUT LN-M18



SPECIFICATIONS

RATED OPERATING DISTANCE	10mm = .394"
MOUNTING MODE	NON-FLUSH
TEMPERATURE DRIFT	≤±10%
HYSTERESIS	3-15%
MIN. REPEAT ACCURACY	≤2%
OPERATING TEMPERATURE	-25°C to +70°C (+13°F to +158°F)
RATED OPERATIONAL VOLTAGE (VAC/VDC)	20-250 VAC/10-300 VDC
RESIDUAL RIPPLE	≤10%
RATED OPERATIONAL CURRENT	≤400 mA (AC)/≤300 mA (DC)
MAINS FREQUENCY	50-60 Hz
RESIDUAL CURRENT	≤1.7 mA
RATED INSULATION VOLTAGE	≤1.5 kV
SURGE CURRENT	≤8.0 A (≤10 ms MAX. 5 Hz)
MAX. VOLTAGE DROP	≤6.0 V
OUTPUT FUNCTION	2-WIRE, NORMALLY OPEN
SMALLEST OPERATING CURRENT	≥3.0 mA
MAX. SWITCHING FREQUENCY	≤0.02 kHz
HOUSING MATERIAL	METAL, BRASS, CHROME-PLATED
ACTIVE FACE	PLASTIC, PA12-GF20
END CAP	PLASTIC, TROGAMID T
CABLE	ø5.2, PVC
VIBRATION RESISTANCE	55 Hz (IN ALL 3 PLANES)
SHOCK RESISTANCE	30 g, 11 ms
DEGREE OF PROTECTION	IP67



SOURCE DRAWING - FOR REFERENCE ONLY

RELATED DOCUMENTS 1. 2. 3. 4.	3RD ANGLE PROJECTION 	THIS DRAWING IS CONFIDENTIAL AND THE PROPERTY OF TURCK INC. USE OF THIS DOCUMENT WITHOUT WRITTEN PERMISSION IS PROHIBITED.		TURCK INC High Technology Sensors and Automation Controls 3000 CAMPUS DRIVE MINNEAPOLIS, MN 55441 1-800-544-7769 (763) 553-7300 (763) 553-0708 fax turck.com	
	MATERIAL SEE SPECIFICATIONS	DRFT IK APVD	DATE 05/03/01 SCALE 1=1.0	DESCRIPTION NI10-G18SK-AZ3X2 65MM	
FINISH	ALL DIMENSIONS DISPLAYED ON THIS DRAWING ARE FOR REFERENCE ONLY	UNIT OF MEASUREMENT INCH [MILLIMETER]		IDENTIFICATION NO. T4331599	REV A
A	DRAWING RELEASE (UPDATE OVERALL LENGTH)	RDS	9/21/11	36495	
REV	DESCRIPTION	BY	DATE	ECO NO.	
				DO NOT SCALE THIS DRAWING	FILE: T4331599
					SHEET 1 OF 1